



Vehicle History Report

VEHICLE DETAILS

Chassis number ¹: WDB2100721A373729

Manufacture date: 1997-04-30

Make: MERCEDES BENZ

Model: E CLASS

Body:

Grade: E60 AMG

Engine: AMG6.0

Drive: 2WD

Transmission: AT

Title information ²:



Deregistered to Export



Accident / Repair:



No problem



Odometer rollback:



No problem



Manufacturer recall:



No problem



Safety grade ³:



No data



Contamination risk:



No problem



This vehicle does not qualify for Buyback Guarantee

Average Market Price



Unfortunately, this vehicle does not qualify for our Buyback Guarantee program.



¥12,000,000

[About Buyback Guarantee](#)

This CAR VX Vehicle History Report is based only on Information supplied to CAR VX, LTD and available as of 2024-03-13 20:42:44. Other information about this vehicle, including problems, may not have been reported to CAR VX, LTD . Use this report as one important tool, along with a vehicle inspection and test drive, to make a better decision about your next used car.

ACCIDENT / REPAIR HISTORY

Problem type	Reported	Date reported	Data source	Details	Airbag
Collision	Not reported				
Malfunction	Not reported				
Theft	Not reported				
Fire damage	Not reported				
Water damage	Not reported				
Hail damage	Not reported				

ODOMETER READINGS HISTORY

Date reported	Data source	Odometer reading (Km)
2019-10-18	MLIT	97900
2021-10-25	MLIT	98400
2023-03-23	USS Tokyo	98736


USE HISTORY

Use in the contaminated regions ⁴	Radioactive contamination test fail ⁵	Commercial use
Not reported	Not reported	Not reported

DETAILED HISTORY

Event date	Location	Odometer reading (Km)	Data source	Details
1997-04-30			MERCEDES BENZ	Manufactured
1997-07			MLIT	First registration
2019-10-18		97900	MLIT	Inspection
2021-10-25	Sagami	98400	MLIT	Inspection
2023-03-23	Chiba	98736	USS Tokyo	Auctioned

MANUFACTURER RECALL HISTORY

Date reported	Data source	Affected part	Details
 Not reported			

VEHICLE ASSESSMENT ⁶

Overall Collision Safety Ratings

Driver's seat			Front passenger's seat		
Points	Evaluation	Goal average	Points	Evaluation	Goal average
0		0%	0		0%

* In order to accurately differentiate between the evaluations of different vehicles, a standard is set based on current technology. Up to 6 points out of 12 is given level 1 and the rest of the range is divided up into equal parts, which are respectively assigned to level 2 (more than 6 points but 7.5 or less), level 3 (more than 7.5 points but 9 or less), level 4 (more than 9 points but 10.5 or less) or level 5 (more than 10.5 points).

Braking performance tests ⁷

Dry road



Wet road



VEHICLE SPECIFICATION

1st gear ratio

2nd gear ratio

3rd gear ratio

4th gear ratio

5th gear ratio

6th gear ratio

Additional notes

Airbag position, capacity

Body rear overhang

Body type

Hardtop

Chassis number embossing position

Classification code

Cylinders		Displacement	5950
Electric engine type		Electric engine maximum output	
Electric engine maximum torque		Electric engine power	
Engine maximum power	381ps(376bhp/280kw)	Engine maximum torque	580Nm(428ib-ft)
Engine model	AMG6.0	Frame type	
Front shaft weight	940	Front shock absorber type	
Front stabilizer type		Front tires size	235/40ZR18
Front tread	1560	Fuel consumption	
Fuel tank equipment	70	Grade	E60 AMG
Height	141	Length	480
Main brakes type		Make	MERCEDES BENZ
Maximum speed		Minimum ground clearance	
Minimum turning radius		Model	E CLASS
Model code		Mufflers number	
Rear shaft weight	820	Rear shock absorber type	
Rear stabilizer type		Rear tires size	265/35ZR18
Rear tread		Reverse ratio	
Riding capacity	5	Side brakes type	
Specification code		Stopping distance	
Transmission type	AT	Weight	1760
Wheel alignment	2WD	Wheelbase	2835
Width	185		

AUCTION DATA

Date: 2023-03-23, Auction: USS Tokyo, Lot #: 76460

Date: 2023-03-23 Lot #: 76460

Auction name:	USS Tokyo	Region:	Chiba
Make:	MERCEDES BENZ	Model:	AMG E CLASS
Reg. year:	1997	Mileage (km):	98736
Displacement (cc):	6000	Transmission:	FA
Color:	SILVER M	Model code:	...
Result:	available	Auction grade:	3.5
Problem type:	No problem	Problem scale:	None
Contaminated:	No	Airbag:	OK

PHOTOS AND AUCTION SHEETS

輸入車プラ①コーナー

No 76460	車種 (白車以外は記入) 排気量 5.950cc 不明	型式 不明	評価点 3.5
初年度登録年月 車名 1997/7月 AMG	グレード SD 4 E60 AMG	駆動方式 4WD	内装 B

車検 R5年10月	シフト FAT	経年 (E) (B) 純AW (E) (S) (P) (W)
走行 98,736 km	冷房 AAC	その他 (C) (D) TV ナビ (L) (B)
外色 色番 カラー 744	有・無	エアロパーツ!!
燃料 (1500) 軽油	名義変更時期	★AMG61-9-M119V8-BOMC
輸入年 1997	輸入車名 フェラーリ (左) 右	★AMG277-66
リサイクル 16,400円	積載量 5人	★ツートン27-66

○注意事項 (必ず 手書き記入してください)

★AMG77ニカル1997-ジ (1997)

★AMG1814220スAW 車内検定済!! (1997)

H23 H25 H27 H29 R1 R3 記録簿付!!

※外品有り!

○検査員報告 (USS使用欄)

7+ 振れ350-10

1144内ス板汚+

足+汚

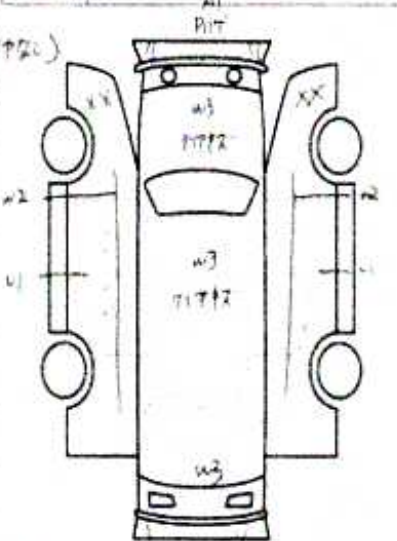
下足+汚

穴+スレ 穴49

登録番号 福岡 302 の 8004

車台番号 WDB2100721A373729

シリアル No AI



【荷台内寸】的 × × (cm)

長さ480cm 幅185cm 高さ141cm (車検証上の寸法)



¹ Chassis number – a unique identification number of the vehicle in Japan (same as VIN in the USA or Europe)

² Title information:

Registered – qualified for driving in Japan

Deregistered Temporarily – not qualified for driving in Japan, usually a temporary title during the ownership change

Deregistered Completely – not qualified for driving in Japan, the vehicle is determined to be scrapped

Deregistered to Export – not qualified for driving in Japan, the vehicle is determined to be exported

³ Determining the overall collision safety performance evaluation – For the driver's seat, the results of the full-wrap frontal collision test, offset frontal collision test, and side collision test are added together and evaluated to 6 different levels. For the Frontal passenger's seat, the results of the full-wrap frontal collision test and the side collision test (results for the driver's or the front passenger's seat are used) are added together and evaluated to 6 different levels.

Regular vehicle inspection – All vehicles in Japan must undergo regular vehicle inspections (shaken). New cars need to be tested after three years, and then vehicles must be tested every two years thereafter. A vehicle inspection (shaken) is compulsory for all vehicles with an engine size over 250cc. It ensures that all vehicles on the road are properly maintained and safe to drive. The test also checks that vehicles have not been illegally modified; if they are found to have been modified, they are not allowed on the road.

⁴ Use in the contaminated regions – The Fukushima Daiichi nuclear disaster was a catastrophic failure at the Fukushima I Nuclear Power Plant on 11 March 2011, resulting in a meltdown of three of the plant's six nuclear reactors. As a result, some areas in the following prefectures were contaminated: Fukushima, Miyagi, Ibaraki, Tochigi.

⁵ Radioactive contamination test – radioactive contamination inspection that was started in July 2011 as a preventive measure for exporting contaminated vehicles from Japan. The inspection is being conducted since in all sea ports of Japan under the supervision of The Japan Harbor Transportation Association (JHTA).

MLIT – Ministry of Land, Infrastructure, Transport and Tourism.

⁶ Japan New Car Assessment Program – the Ministry of Land, Infrastructure, Transport and Tourism (MLIT) and the National Agency for Automotive Safety & Victims' Aid (NASVA) have taken measures for safety, one of which is to assess commercially available vehicles through a variety of safety performance tests and release the resulting information compiled into the "New Car Assessment Program". The objective of Japan New Car Assessment Program is to increase the use of safe automobiles by providing an environment in which users can easily select such vehicles. This also promotes the development of safer vehicles by automobile manufacturers. Neck injury protection for rear-end collision performance test, rear seat passenger's protection for frontal collision performance test, rear passenger's seat belt usability evaluation test and seat belt reminder for passengers evaluation test are started in FY2009.

⁷ Braking Performance Tests – Braking performance is determined by the shortness of the distance in which a vehicle can stop and the stability of the vehicle at the time of braking. This test is performed under wet and dry road conditions for a vehicle which has both a driver and a front passenger. The distance it takes for the vehicle to stop and the stability of the vehicle at the time of braking is evaluated for when the vehicle is stopped abruptly while traveling at a speed of 100km/h. The stopping distance and vehicle speed have been measured by using GPS since FY2009.

CAR VX, LTD DEPENDS ON ITS SOURCES FOR THE ACCURACY AND RELIABILITY OF ITS INFORMATION. THEREFORE, NO RESPONSIBILITY IS ASSUMED BY CAR VX, LTD OR ITS AGENTS FOR ERRORS OR OMISSIONS IN THIS REPORT. CAR VX, LTD FURTHER EXPRESSLY DISCLAIMS ALL WARRANTIES, EXPRESS OR IMPLIED, INCLUDING ANY IMPLIED WARRANTIES OF MERCHANTABILITY OR FITNESS FOR A PARTICULAR PURPOSE.

© 2014-2024 Car VX Limited. All rights reserved.